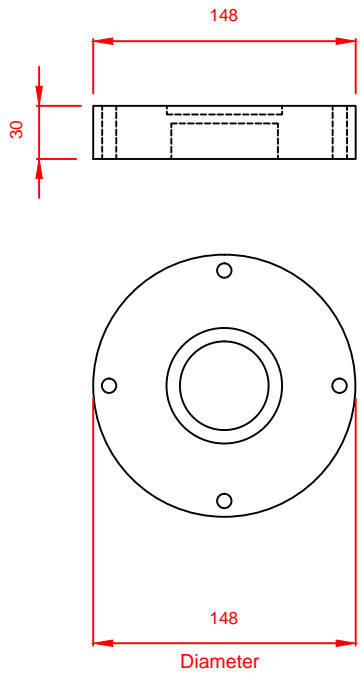
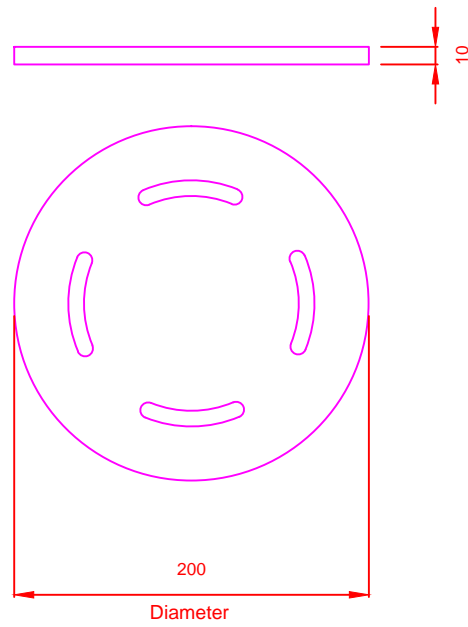


This is your Aluminum plate.



This would be the new mounting plate.



Your plate and the new plate bolted together.

